

## ... intelligent distance and movement detection sensor



### Features

- High resolution with 768 pixels
- Very easy installation & integration
- Relative distance resolution 50 mm
- Maximum operating range 3 m
- For side or center opening doors
- Small dimensions (102 x 27 x 23 mm)
- Automatic door fade-out
- Intelligent 'Time-out' function

### Technical data

#### Application

Operating range	0.5 ... 3 m
Active area at 2 m distance	200 mm x 900 mm
Number of pixels	768 (8 x 96)
Wave length	840 nm
Relative distance resolution	50 mm (20 cm above floor)

#### Electrical

Supply voltage $U_{SP}$	+10 ... 30 VDC (typ. 24 VDC)
Ripple at supply voltage	10%
Current consumption (at 24 V)	< 200 mA
Resistive load	50 mA
Capacitive load	100 nF
Output type	1 x PNP
Output logic	Low = object, high = no object
Optical illumination LED power	< 0.5 W
Indication LED (status)	Red (object detected = on)
Response time	Typ. < 200 ms
Recalibration time	< 200 ms

#### Connection cable

Cable type and color	PVC, black
Cable length	0.5 m
Connection cable	2.8 m
Connecting plug	M8
4 Wires	Brown: +10 ... 30 VDC Blue: GND (0 V) Black: Output, PNP White: Time-out selector (18 s or infinity)

#### Mechanical

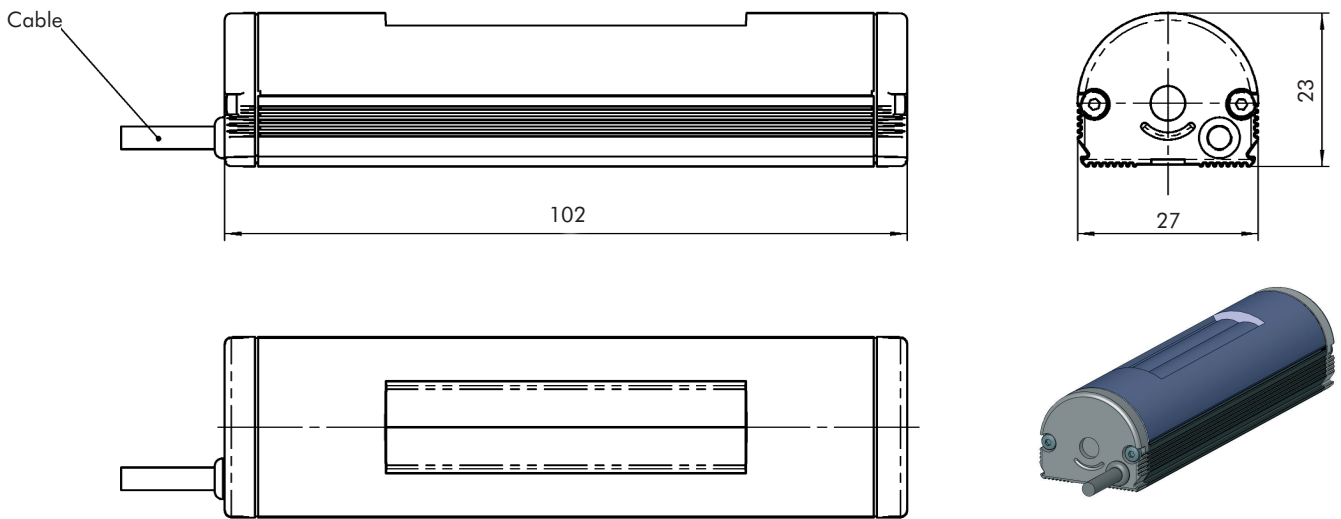
Dimensions (w x h x d) in mm	102 x 27 x 23
Mechanical adjustment range	$\pm 30^\circ$ (continuously)
Enclosure rating	IP54
Temperature range	-20° ... +60°C
Housing material	Aluminum, Polycarbonate

#### General

Eye safety norm	DIN prEN 62471: 2007
Electromagnetic emission	EN 50081-1, EN 12015
Electromagnetic immunity	EN 50081-2, EN 12016
Certificates	CE

## Dimensions

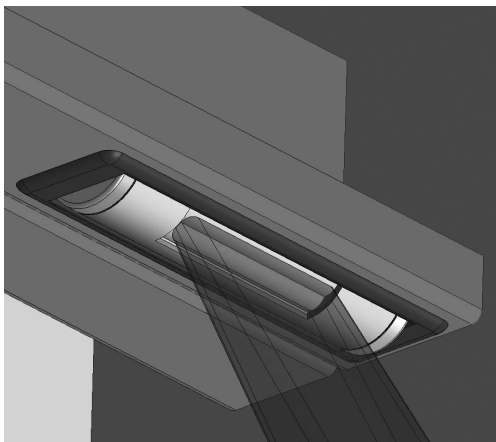
### Sensor



(All dimensions in mm)

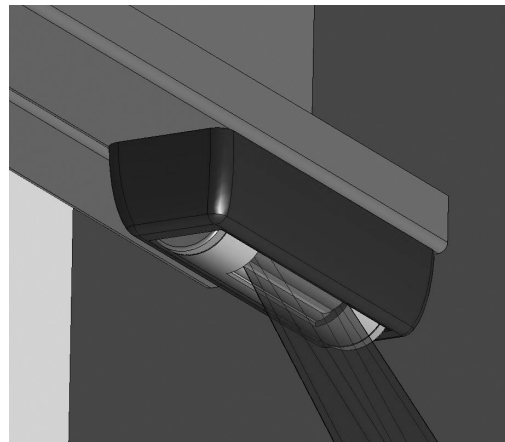
## Mounting information

### Flush mounting details



- Required space behind transom (in mm): 125 x 29 x 20 (at max. 30° angle of rotation)
- Required space on transom (in mm): 132 x 34 x 6.5
- Required cut in transom (in mm): 112 x 29
- Fixation: Two clips

### Surface mounting details



- Required space on transom (in mm): 140 x 40 x 30.5
- Fixation: Two screws

## Ordering information

Part no.	Type	Description
106 833	<b>IMS 100</b>	IMS 100 with flush mounting kit
108 175	<b>IMS 100</b>	IMS 100 with surface mounting kit

Other configurations on request

**CEDES AG** / Switzerland • Tel. +41 81 307 2323 • Fax +41 81 307 2325 • [info@cedes.com](mailto:info@cedes.com) • [www.cedes.com](http://www.cedes.com)

CEDES AG is certified according to ISO 9001: 2000. CEDES AG reserves the right to modify or change technical data without prior notice.